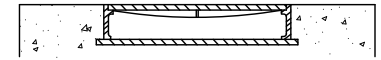
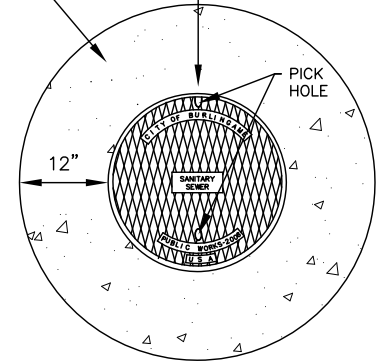
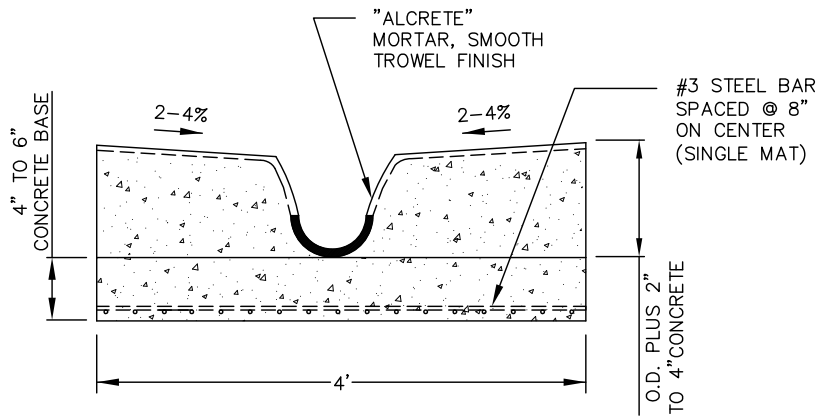


"CITY OF BURLINGAME"
 "SANITARY SEWER"
 "PUBLIC WORKS-20__"
 "U.S.A."



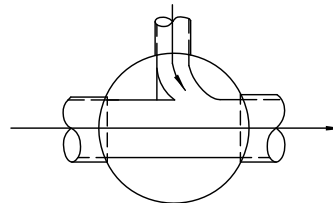
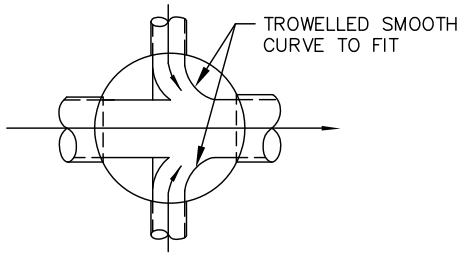
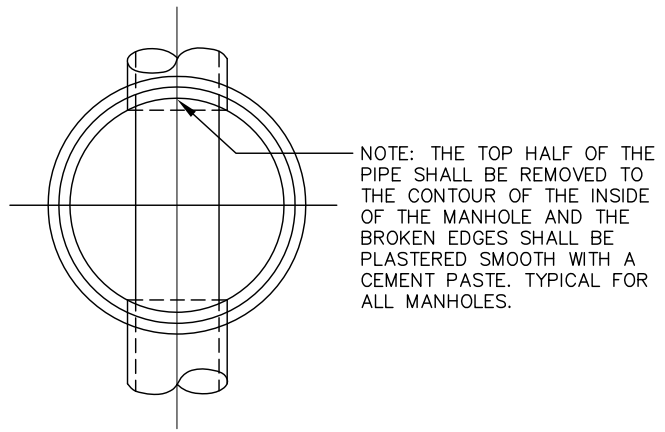
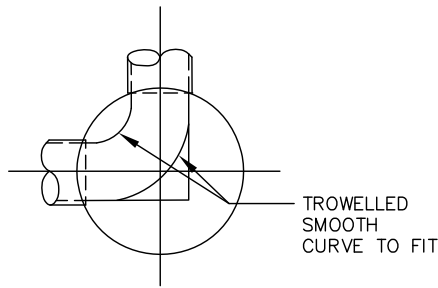
FRAME RAISER SHALL BE 4" IN THE EASEMENTS AND 8" IN THE STREETS.



**STANDARD MANHOLE
 (IN STREET RIGHT-OF-WAY)**
 DEPARTMENT OF PUBLIC WORKS

APPROVED BY
 DATE
 8/4/10

DRAWING NO.
SS-3
 (1 of 4)



TYPICAL CHANNEL CONFIGURATION PLANS

* * * * *

REQUIREMENTS FOR CONSTRUCTION OF
SANITARY SEWERS MANHOLES

1. ALL JOINTS TO BE SEALED WATER TIGHT WITH CITY APPROVED FLEXIBLE WATER-TIGHT JOINT COMPOUND.
2. COVER PATTERN TO BE 1/2 BY 1-1/2" CHECKERED RAISED 1/4". CONFORM TO ASTM A-48, CL 35B, H-20 WHEEL LOADING.
3. CAST IRON FRAME AND COVER TO BE D&L FOUNDRY, PAMREX HINGED, OR APPROVED EQUAL.
4. FOR PIPES OVER 36" DIAMETER, CHECK WITH CITY ENGINEER FOR REQUIREMENTS.
5. USE A 6-SACK, CLASS "B" CONCRETE FOR THE BASE AND COLLAR SECTION, HAVING A 28-DAY COMPRESSIVE STRENGTH OF 2,500 P.S.I.
6. FRAME AND COVER TO BE MACHINED AND FITTED.
7. PRECAST CONCRETE BARREL, CONE AND RISER SECTIONS MUST CONFORM TO AASHTO DESIGNATION: M199 AND ASTM: C478.
8. PORTLAND CEMENT COLLAR SHALL BE 12" IN WIDTH AND 10" IN HEIGHT, LEVEL WITH RIM OF MANHOLE COVER.
9. MANHOLE IN THE EASEMENT AREA SHALL BE 36"-42" IN DIAMETER. RUB'R-NEK WRAP (1-800-231-4549) OR EQUIVALENT SHALL VE USED AROUND ALL JOINTS. MANHOLE FRAME AND COVER SHALL BE D&L FOUNDRY, PAMREX HINGED TYPE, OR APPROVED EQUAL.
10. MANHOLE CASTING IN EASEMENT AREAS SHALL BE 4" RAISE WHILE MANHOLE CASTING ON STREETS SHALL BE 8" RAISE.
11. BACKFILL AROUND MANHOLE SHALL BE CDF IN THE STREET. CDF SHALL BE 1.5-SACK MIX WITH FINE AGGREGATE PER CUBIC YARD. IN THE EASEMENT, NATIVE SOIL BACKFILL MAYBE ACCEPTED WITH A MINIMUM OF 90% RELATIVE COMPACTION OR WITH ENGINEER'S APPROVAL.
12. 8" MINIMUM DRAIN ROCK SHALL BE PLACED UNDERNEATH MANHOLE BASE.



STANDARD SANITARY SEWER MANHOLE

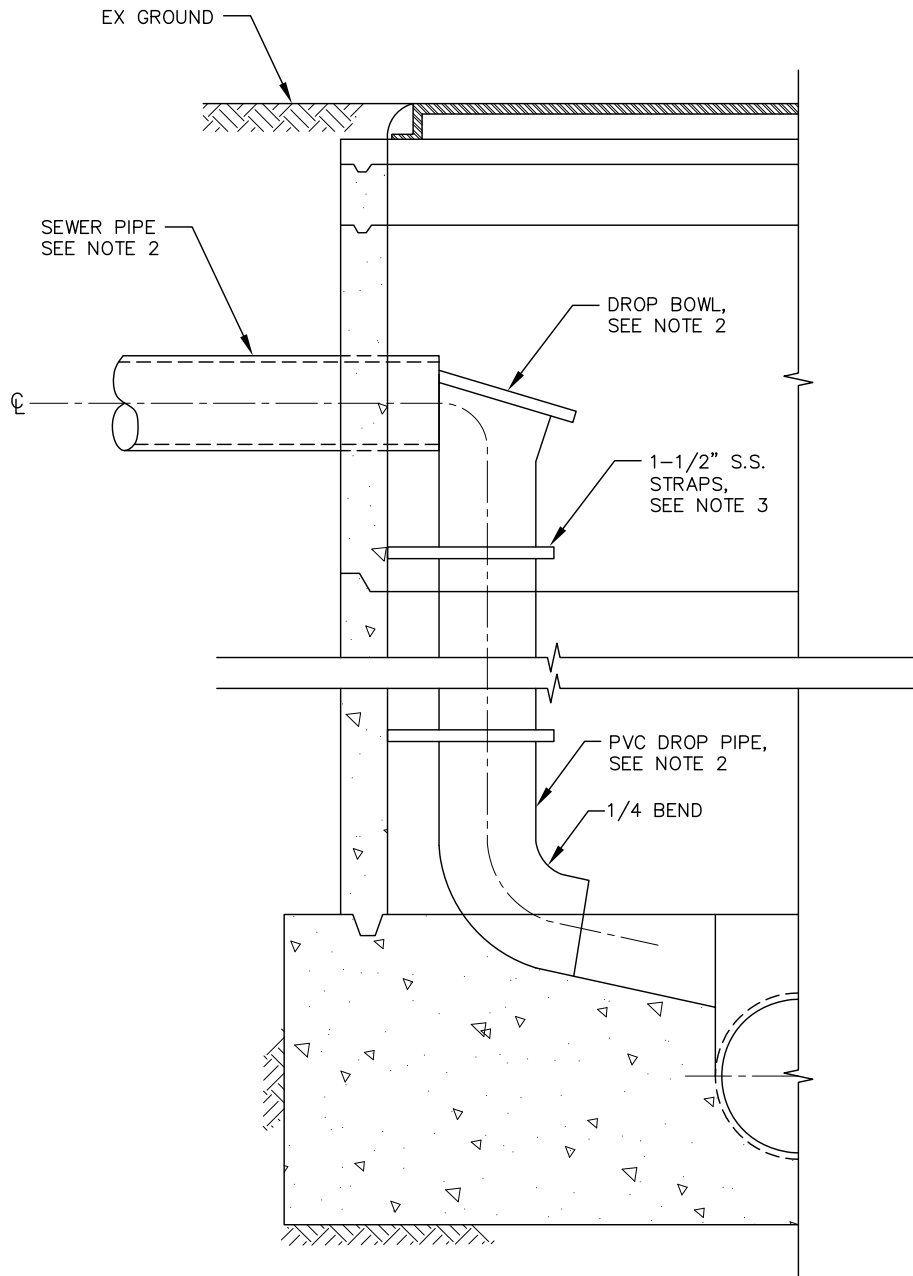
DEPARTMENT OF PUBLIC WORKS

APPROVED BY

DATE
8/4/10

DRAWING
NO.

SS-3
(3 of 4)



NOTE:

1. USE DROP INLET WHEN THE DISTANCE BETWEEN THE OUTLET PIPE INVERT AND THE INLET PIPE INVERT IS GREATER THAN 2 FEET (2').
2. DROP BOWL SHALL BE RELINER-DURAN OR APPROVED EQUAL. DROP BOWL OUTLET SHALL BE THE SAME SIZE AS THE SEWER PIPE.
3. MAXIMUM CENTERS BETWEEN STRAPS SHALL BE 24" WITH A MINIMUM OF TWO STRAPS PER INSTALLATION. STRAPS SHALL BE PROVIDED BY RELINER-DURAN OR APPROVED EQUAL.



MANHOLE DROP INLET

DEPARTMENT OF PUBLIC WORKS

APPROVED BY

DATE
8/4/10

DRAWING NO.

SS-3
(4 of 4)